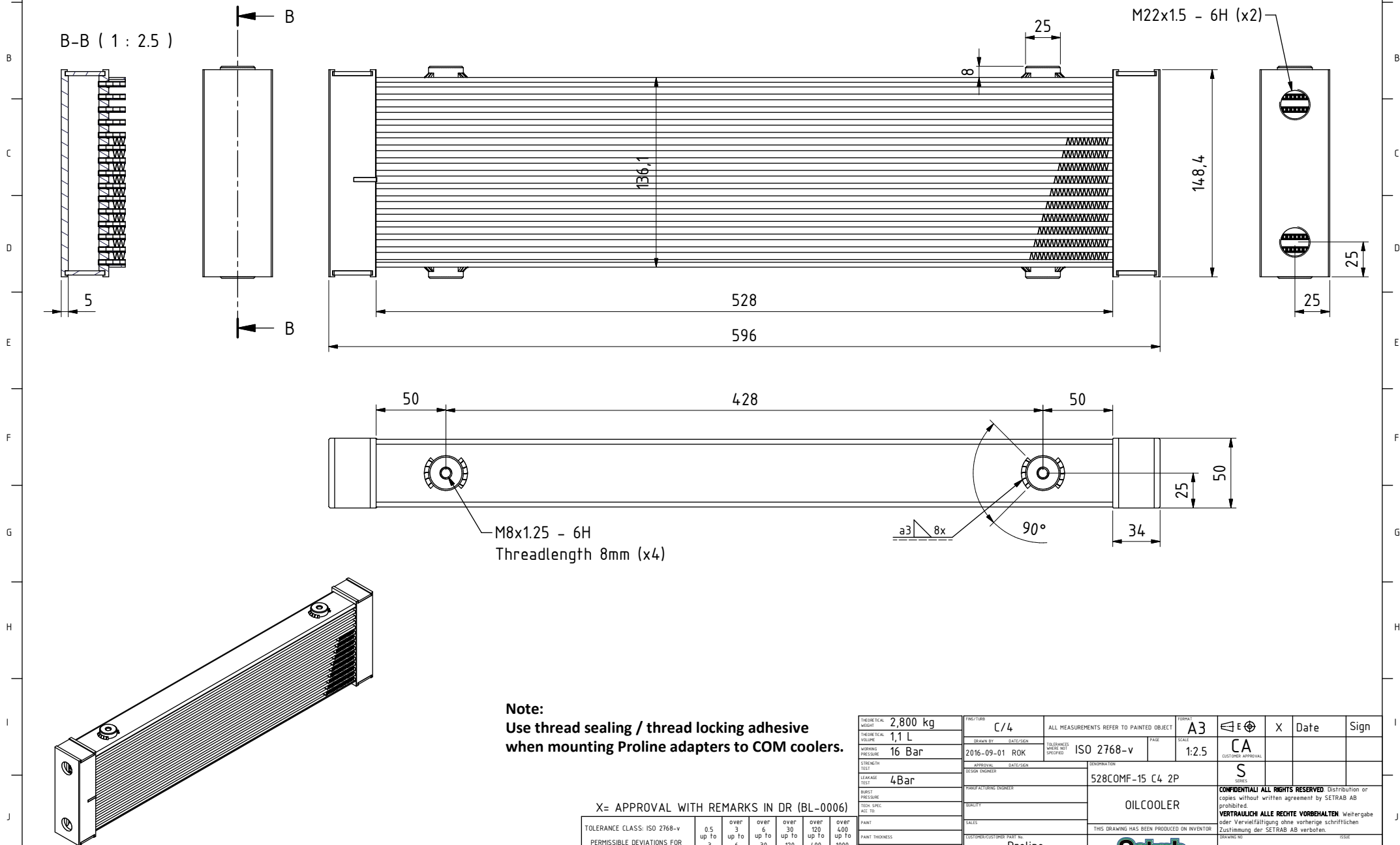


52-12965-01



**Note:**  
 Use thread sealing / thread locking adhesive  
 when mounting Proline adapters to COM coolers.

X= APPROVAL WITH REMARKS IN DR (BL-0006)

TOLERANCE CLASS: ISO 2768-v	0.5 up to 3	over 3 up to 6	over 6 up to 30	over 30 up to 120	over 120 up to 400	over 400 up to 1000
PERMISSIBLE DEVIATIONS FOR LINEAR DIMENSIONS EXCEPT FOR BROKEN EDGES. (mm)	-	±0.5	±1	±1.5	±2.5	±4

THEORETICAL WEIGHT	2,800 kg	FIN./CYCLES	C/4	ALL MEASUREMENTS REFER TO PAINTED OBJECT	FORMAT	A3	DATE	X	Sign
THEORETICAL VOLUME	1,1 L	DESIGN BY	DATE/ISS	TOLERANCES UNLESS NOT SPECIFIED	SCALE	1:2.5	CA	CUSTOMER APPROVAL	
WORKING PRESSURE	16 Bar	2016-09-01 ROK		ISO 2768-v					
STRENGTH TEST		APPROVAL	DATE/ISS	SEMI-FINISH			S		
LEAKAGE TEST	4Bar	DESIGN ENGINEER		528COMF-15 C4 2P					
TEST PRESSURE		PRODUCTION ENGINEER							
TECH. SPEC. ACC. TO		QUALITY		OILCOOLER	CONFIDENTIAL! ALL RIGHTS RESERVED. Distribution of copies without written agreement by SETRAB AB prohibited. VERTRAULICH! ALLE RECHTE VORBEHALTEN. Weitergabe oder Vervielfältigung ohne vorherige schriftlichen Zustimmung der SETRAB AB verboten.				
PAINT		TEST OPER./CUSTOMER PART NO.	Proline	THIS DRAWING HAS BEEN PRODUCED ON INVENTOR	DRAWING NO. ISSUE				
CONNECTION MAX. TIGHTENING TORQUE		Setrab			52-12965-01				
COUNTERACTING SPANNER MUST BE USED WHEN TIGHTENING CONNECTORS		Malmö - Sweden Tel: +46 (0)40 59600 Fax: +46 (0)40 59607							